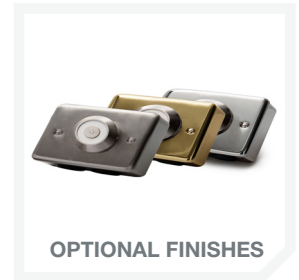
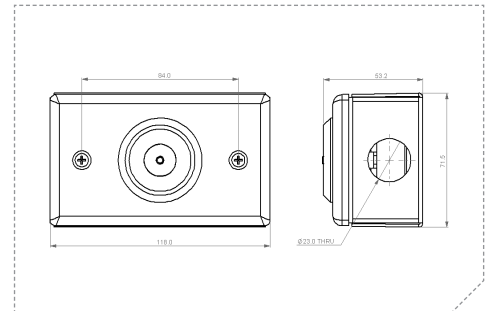


Electromagnetic fire door holder



Free sample available

- US specification **fire door holding magnet** in steel housing
- **Zero residual backlash/instant release**
- **Competitive pricing**
- **UL Listed**
- **Largest manufacturer** in the UK of hard-wired fire door holding magnets
- Over **40 years' experience** of manufacturing



	US competitor for electromagnetic fire door holders	Geofire electromagnetic fire door holder
Voltage	24 V or 120V	24 V ac/dc or 120V
Current	20 mA	20 mA
Holding force	40 and 35 lb claimed	30 - 37 lb tested
Residual force	Not stated	Zero - instant release
Flush mounting	Yes	Yes (3-59-0391)
Surface mounting	Yes	Yes (3-59-0390)
Standard finish	Powdercoat chrome	Powdercoat white
Optional finishes	Dark bronze, brass	Polished brass, polished chrome, satin stainless steel
Floor mounting bracket	Yes	Yes
Extension rods	Yes	Yes



Also available...

ABS electromagnetic fire door holder in thermoplastic polymer housing (UL LISTED)