

- 24Vac, 24Vdc or 120Vac SUPPLY VOLTAGE
- 112N HOLDING FORCE
- ZERO RESIDUAL FORCE
- HIGH QUALITY PAINTED STEEL OR CHROME PLATED FINISHES
- FLUSH OR SURFACE MOUNTING
- STEEL, ELECTRO PLATED MAGNET AND KEEPER PLATE
- DIE CAST ZINC ALLOY MOUNTING BASE
- 6" AND 12" KEEPER EXTENSIONS



This electromagnetic door holder is for retaining swinging fire doors open for ease of access in busy buildings. It is designed for use with a separate door closer and separate fire detection system. The magnet and fascia plate are suitable for flush mounting with a standard back box or for surface mounting with the supplied enclosure.

ORDER CODES

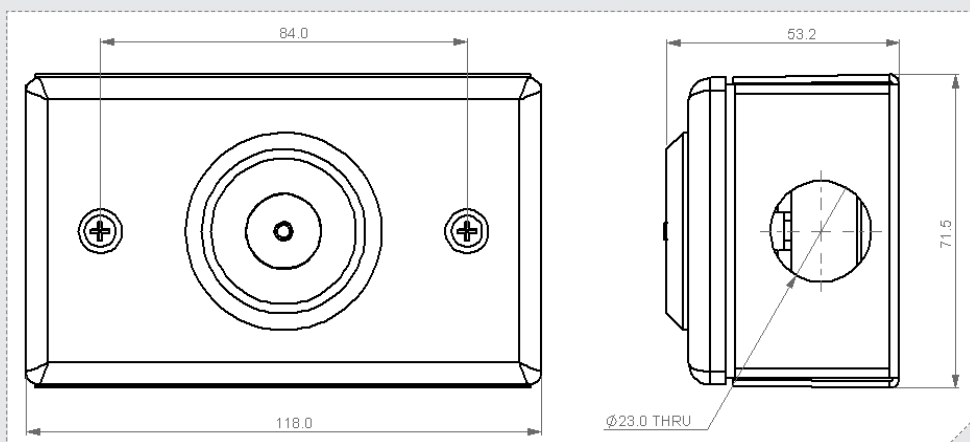
3-59-0390 - Fire door holder surface mount

3-59-0391 - Fire door holder flush mount

TECHNICAL INFORMATION

Holding force	25lbforce(112N)
Residual force	Zero
Electrical supply	Multi-input: 24Vac, 24Vdc, or 120Vac
Current	20 mA
Keeper adjustment	+/- 45°
UL Listed	R25547

FASCIA PLATE



Geofire reserve the right to change the specifications in this data sheet without prior notification