

- FLOOR, WALL AND CEILING MOUNTING
- 500N OR 1000N HOLDING FORCE
- ZERO RESIDUAL FORCE
- SUPPLIED WITH KEEPER PLATE
- APPROVED TO EN1155 AND CE MARKED



This rugged, versatile design of door magnet can be used for many different door holding applications. With the magnet set as shown in the photograph, the door holder can be floor mounted or ceiling mounted. Turn the magnet through 90° and the door holder is in wall mounting configuration.

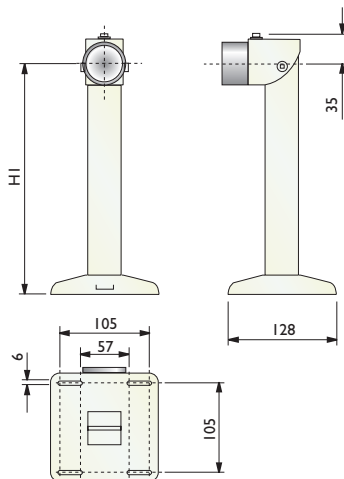
The stand and adjustable head are fabricated from steel providing a very robust structure. A moulded cover is included to conceal the mounting fixings once the holder is fitted.

The stand is available in two standard lengths, but can easily be cut down to shorter lengths on site. Special lengths and voltages are available to order.

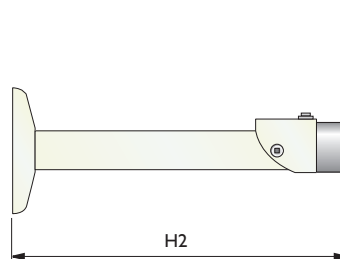
TECHNICAL INFORMATION

Part No.	3-79-05200	3-79-05300	3-79-06200	3-79-06300
Holding force	500	500	1000	1000
Residual	zero	zero	zero	zero
H1	183	283	183	283
H2	250	350	250	350
Supply	24Vdc	24Vdc	24Vdc	24Vdc
Current	43mA	43mA	76mA	76mA
Keeper adjustment	+/- 30°	+/- 30°	+/- 30°	+/- 30°
Finish	Electro plated / painted white			

Floor/Ceiling Mounting



Wall Mounting



Keeper Plate

