

- AUTOMATIC CLOSING OF SMOKE VENTS WITH FAILSAFE OPENING
- SLIM-LINE DESIGN
- 1400N CLOSING FORCE
- CAN BE USED FOR CONTROLLED VENT OPENING FOR TEMPERATURE CONTROL ETC
- ALTERNATIVE SIZES AVAILABLE



The Geofire range of winches offer a compact solution to the problem of opening roof vents in large buildings. The slim-line design allows the winch to be fitted unobtrusively in the vent frame work.

A powerful 230V motor provides ample closing force via cables fitted to the vent. Once the vent is closed the winch locks in position with a 24 V brake that can be powered by our own plug in power supply or by the fire control system.

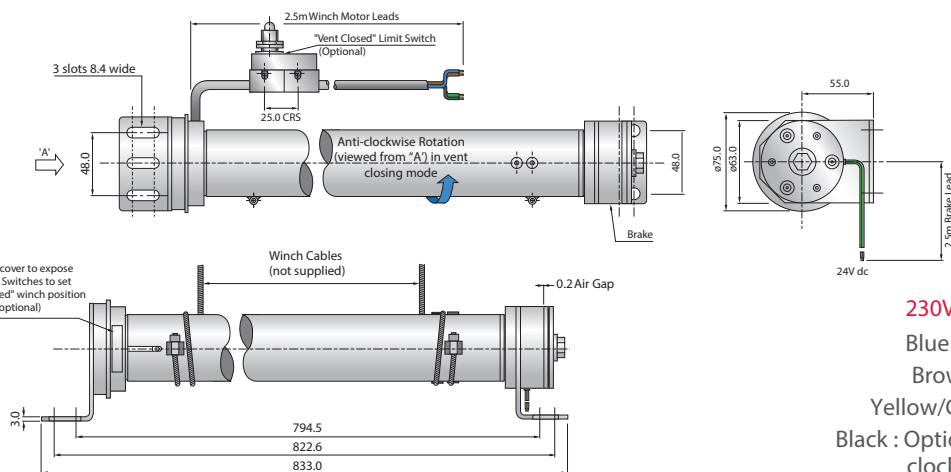
When power to the brake is cut, the winch releases allowing the vent to open under the action of gas struts, etc. When power is returned to the winch, it automatically pulls the vent back to a closed position.

All winches have limit switches built into the drum mechanism that allows the close position to be set. An extra limit switch is optionally available in the motor cable to allow direct sensing of when the vent is closed.

An additional feature is that the winch can be driven in the reverse direction to give controlled opening of the vent. This can be interfaced with an automatic environmental control system or controlled by a manual switch (available as an option). A second limit switch in the drum mechanism allows a maximum opening position to be set to avoid slack on the winch cables.

TECHNICAL INFORMATION

| | |
|------------------|---------------------------------|
| Max winch torque | 40Nm |
| Drum diameter | 50mm |
| Motor rating | 230V, 240W, 50Hz, 4 min. rating |
| Brake rating | 24V dc, 9.0W |
| Part number | 3-66-0910 |



230V ac 50Hz
 Blue : Neutral
 Brown : Live
 Yellow/Green : Earth
 Black : Optional live for anti clockwise rotation.