



Stephenson Gobins's electro-hydraulic door controls provide the solution to meeting the requirements of the Disability Discrimination act and the need for fire safety in public buildings.

The New E9871 can be set on site to hold the door open at 70 degrees plus or to swing free as if no door closer was fitted until the fire alarm is activated or the power fails - ideal for people with mobility problems.

A rigorous testing and quality regime and ease of fitting (the closers are non-handed and can be fitted to either side of the door) ensure that the product will give excellent service from fitting onwards.

FUNCTIONS

- Size 3/4 selectable, size 4 in figure 6
- Figure 1, pull side & figure 6 push side mounting as standard
- Non handed
- Latch and closing speed control
- Hold open from 70 to 170 degrees
- Site selectable swing-free or hold operation

PERFORMANCE STANDARDS

E9871 door closers have been successfully type tested to all the requirements of BSEN1155

FINISH

The standard finish is silver but alternatives are available to order Red Polished Brass, Real Satin Stainless Steel

FEATURES

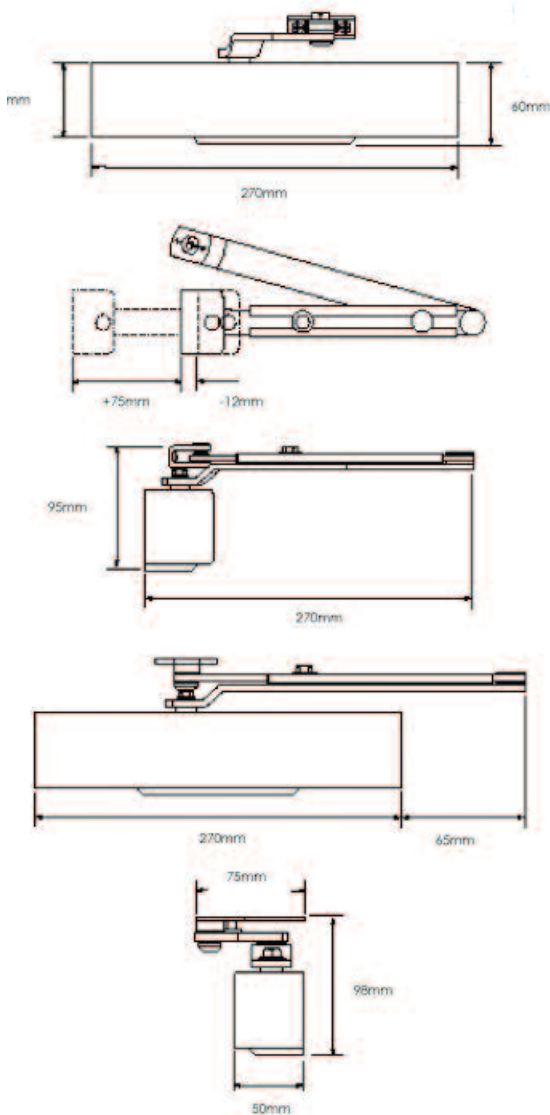
- Easy manual pull-off
- Test Switch
- Temperature stabilised fluid
- Pressure relief valve
- Cam & roller mechanism
- Full square or radius cover in stainless steel, polished brass silver and RAL colours
- 4870 available with slide covers

FIRE STANDARDS

E9871 door closers are 'CERTIFIRE' approved for use on 1/2, 1 and 2 hour fire doors of 155

ELECTRO-HYDRAULIC - HOLD-OPEN/ SWING-FREE DOOR CONTROL

DIMENSIONS



ELECTRICAL

- voltage - 24V DC, separate power supply units available
- current - 95mA

